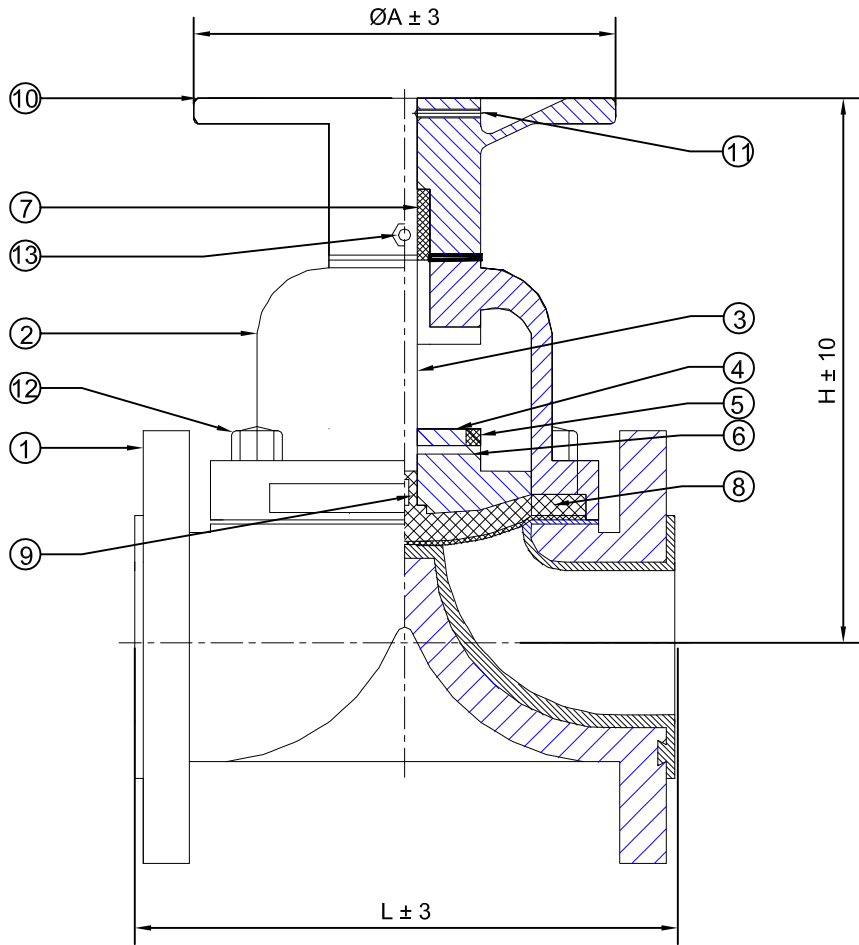


Revision R0

(ALL DIMENSION ARE IN MM)



TECHNICAL DETAILS:-
 VALVE TYPE : PFA / FEP LINED DIAPHRAGM VALVE
 FACE TO FACE : AS PER BS 5156

Dimensions are in mm

SIZE	15	20	25	40	50	65	80	100	150	200	250	300
L	114	123	133	165	196	222	260	311	412	527	641	755
H	95	100	115	154	160	180	235	260	370	480	540	600
ØA	70	70	95	115	140	165	220	240	370	410	580	650

SR.	PART NAME	MATERIAL
1	BODY	GR. CI / DI / WCB / SS + PFA/FEP LINED
2	BONNET	GR. CI / DI / WCB / SS
3	SPINDLE	GR. CI / DI / WCB / SS
4	COMPRESSOR	GR. CI / DI / WCB / SS
5	COLLAR	CARBON STEEL
6	COMPRESSOR PIN	SS
7	BUSH	GUN METAL
8	DIAPHRAGM	PTFE WITH NEOPRENE RUBBER BACK UP
9	DIAPHRAGM STUD	BRASS
10	HANDLE WHEEL	GR. CI / DI / WCB / SS
11	LOCK SCREW	SS
12	STUD	MS / SS
13	GREASE NIPPLE	BRASS

(WE RESERVE THE RIGHT TO CHANGE DESIGN AND TECHNICAL DATA FURNISHED HERE DUE TO CONTINUOUS PRODUCT DEVELOPMENT)

Mfg	4Matic	DATE	22/11/19
		TOTAL SHEET	01
TITLE:- DRG. OF 15MM TO 300MM PFA/FEP LINED DIAPHRAGM VALVE		SHEET NO.	01 OF 01
		DRG.NO.	A4G/DPV/GEN/1450/R0